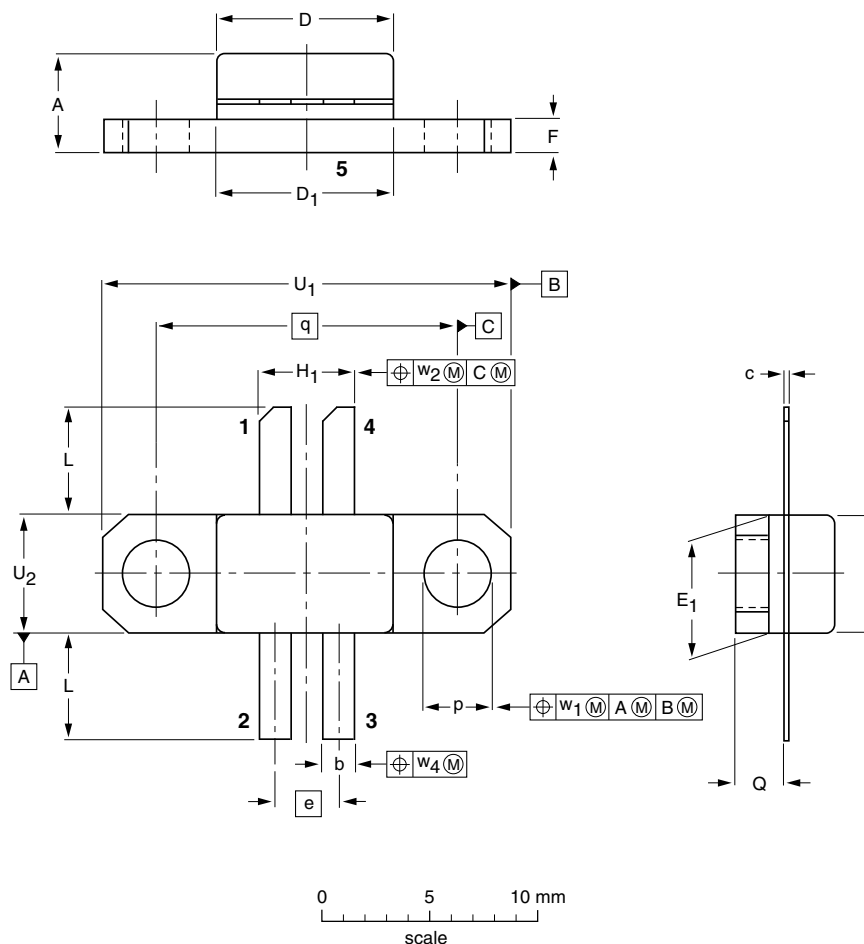



Flanged ceramic package; 2 mounting holes; 4 leads

SOT324B



DIMENSIONS (millimetre dimensions are derived from the original inch dimensions)

UNIT	A	b	c	D	D ₁	E	E ₁	e	F	H ₁	L	p	Q	q	U ₁	U ₂	w ₁	w ₂	w ₄
mm	4.93 4.19	1.65 1.40	0.13 0.08	8.18 8.08	8.26 8.00	6.40 6.30	6.48 6.22	3.05	1.65 1.40	4.83 4.32	5.59 4.57	3.43 3.18	2.31 2.01	14.22	19.02 18.77	6.43 6.17	0.25	0.5	0.25
inches	0.194 0.165	0.065 0.055	0.005 0.003	0.322 0.318	0.325 0.315	0.252 0.248	0.255 0.245	0.120	0.065 0.055	0.19 0.17	0.220 0.180	0.135 0.125	0.091 0.079	0.560	0.749 0.739	0.253 0.243	0.010	0.020	0.010

OUTLINE VERSION	REFERENCES			EUROPEAN PROJECTION	ISSUE DATE
	IEC	JEDEC	EIAJ		
SOT324B					99-03-29