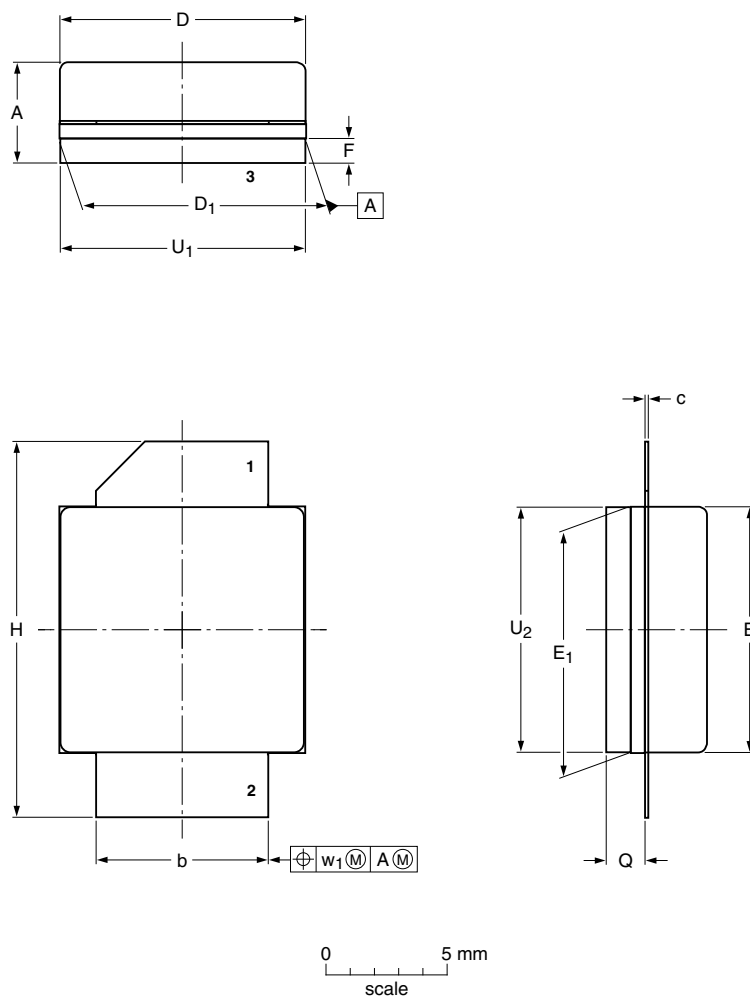


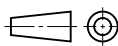
Ceramic earless flanged package; 2 leads

SOT608B



DIMENSIONS (mm dimensions are derived from the original inch dimensions)

UNIT	A	b	c	D	D ₁	E	E ₁	F	H	Q	U ₁	U ₂	w ₁
mm	4.62 3.76	7.24 6.99	0.15 0.10	10.21 10.01	10.29 10.03	10.21 10.01	10.29 10.03	1.14 0.89	15.75 14.73	1.70 1.35	10.24 9.98	10.24 9.98	0.51
inch	0.182 0.148	0.285 0.275	0.006 0.004	0.402 0.394	0.405 0.395	0.402 0.394	0.405 0.395	0.045 0.035	0.620 0.580	0.067 0.053	0.403 0.393	0.403 0.393	0.020

OUTLINE VERSION	REFERENCES				EUROPEAN PROJECTION	ISSUE DATE
	IEC	JEDEC	JEITA			
SOT608B						06-11-27 06-12-06