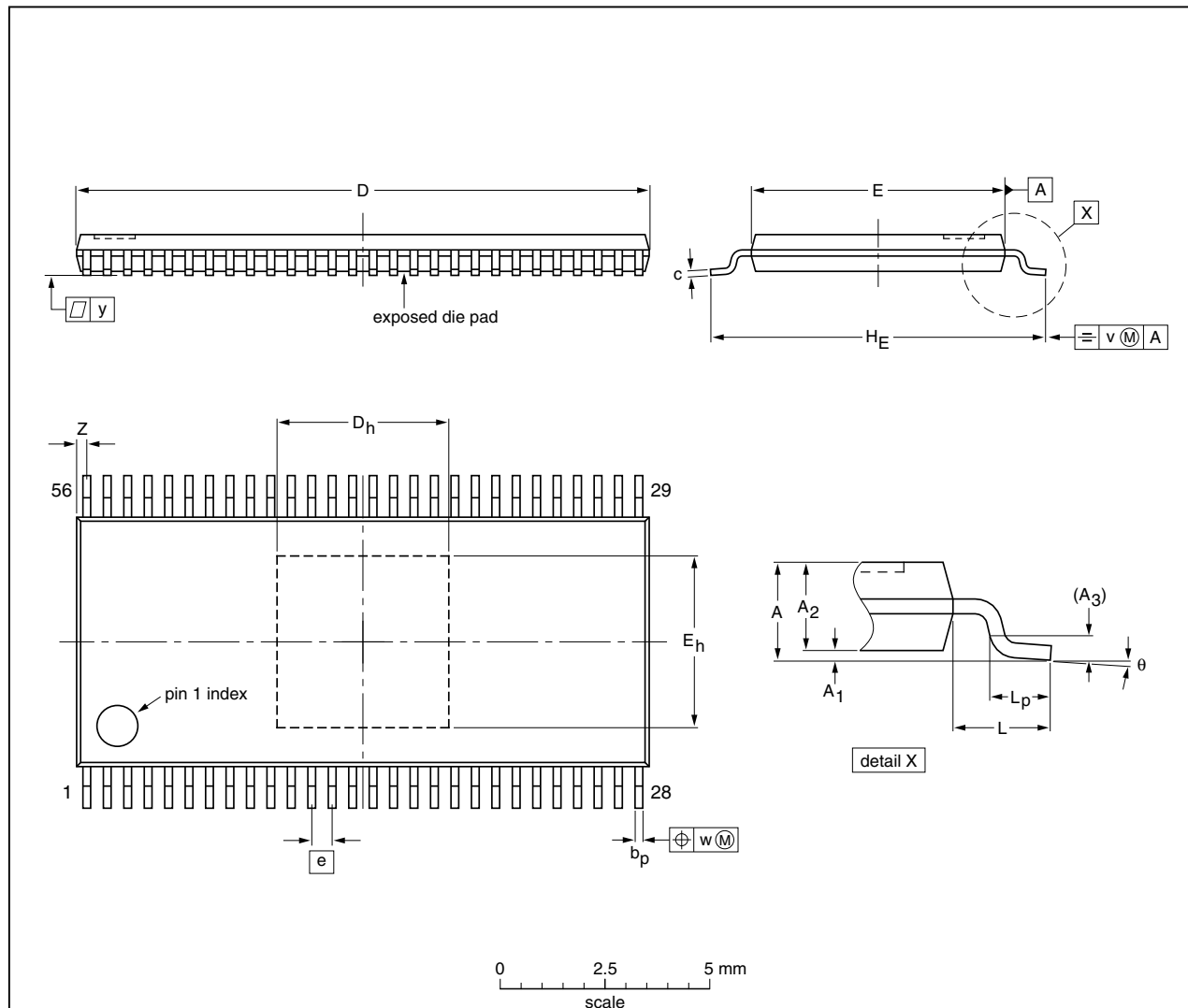


**HTSSOP56: plastic thermal enhanced thin shrink small outline package; 56 leads;
body width 6.1 mm; exposed die pad**

SOT793-1




DIMENSIONS (mm are the original dimensions)

UNIT	A max.	A ₁	A ₂	A ₃	b _p	c	D ⁽¹⁾	D _h	E ⁽²⁾	E _h	e	H _E	L	L _p	v	w	y	Z ⁽¹⁾	θ
mm	1.2	0.15 0.05	1.05 0.80	0.25	0.27 0.17	0.20 0.09	14.1 13.9	4.3 4.1	6.2 6.0	4.3 4.1	0.5	8.3 7.9	1	0.8 0.4	0.2	0.08	0.1	0.4 0.1	8° 0°

Notes

1. Plastic or metal protrusions of 0.15 mm maximum per side are not included.
2. Plastic or metal protrusions of 0.25 mm maximum per side are not included.

OUTLINE VERSION	REFERENCES			EUROPEAN PROJECTION	ISSUE DATE
	IEC	JEDEC	JEITA		
SOT793-1	143E36T	MO-153			03-03-04